

NEW PRODUCTS NP-187

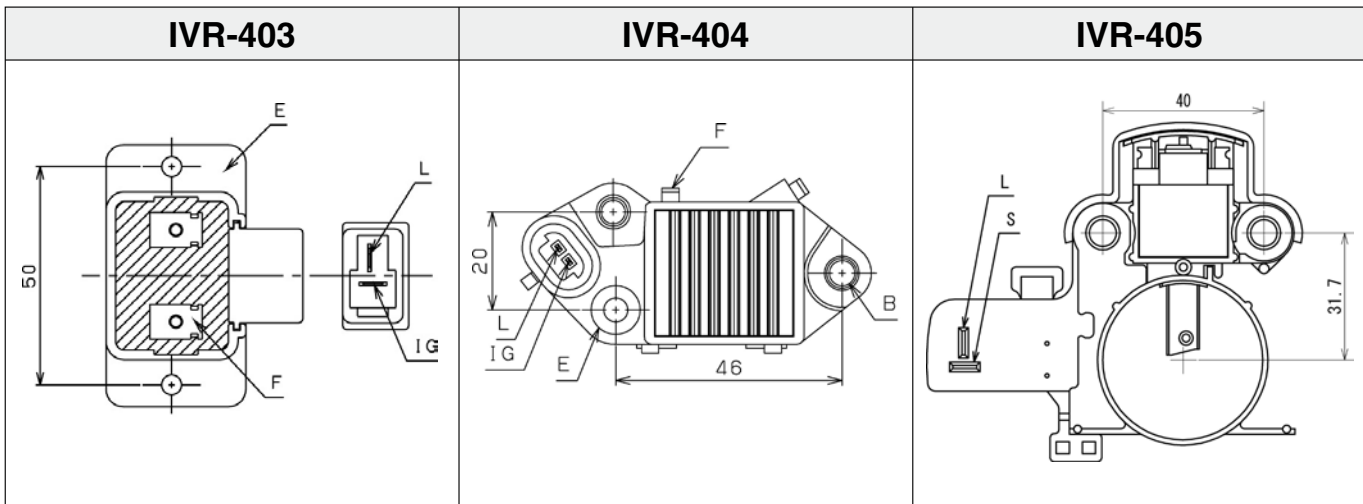
Illustration	Ref. No.	Application	On Sale
<p>IVR-975 12V</p> 	<p>31150-RSH-004 ALTERNATOR 12V 80A 31100-RSH-004 (A005TB1391)</p>	<p>HONDA JAZZ FIT</p> <p>'07~'08 '07~'08</p>	<p>OCT.'10</p>
<p>D-042 12V</p> 	<p>31127-RSH-004 ALTERNATOR 12V 80A 31100-RSH-004 (A005TB1391)</p>	<p>HONDA JAZZ FIT</p> <p>'07~'08 '07~'08</p>	<p>OCT.'10</p>
<p>SS-2729 24V</p>  	<p>23308-Z9013 (1350-164-01X9) STARTER 24V 4.5KW 23300-Z5578 (0355-502-0110)</p>	<p>NISSAN(DIESEL) (UD TRUCKS) CONDOR MK,MK-B (FE6F,FE6TCI) '01~</p>	<p>NOV.'10</p>

<http://www.newera.co.jp/>

PACKING LIST

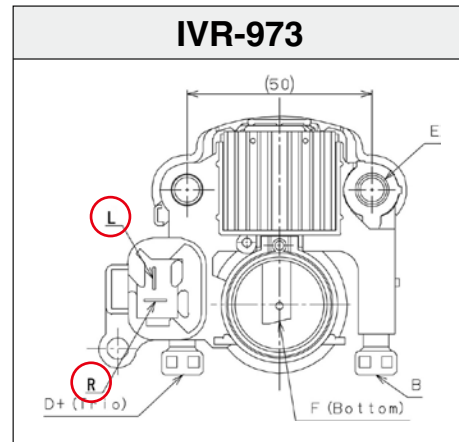
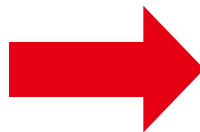
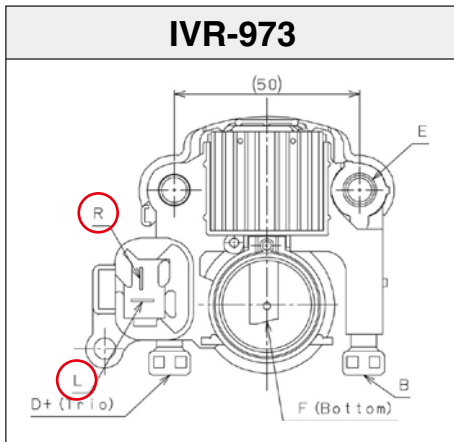
New-Era No.	Q'TY	G/W (kg)	Dimensions (cm)	Volume (m ³)
SS-1547 Ref : Communication Site No.360	20	25.0	37 × 40 × 16	0.02368
SS-1548 Ref : Communication Site No.361	20	25.0	37 × 40 × 16	0.02368
SS-1549 Ref : Communication Site No.361	20	26.5	37 × 40 × 16	0.02368
SS-1534 Ref : Communication Site No.363	20	23.0	35 × 35 × 16	0.0196
IVR-401 Ref : Communication Site No.366	50	5.0	44 × 44 × 15	0.02904
IVR-402 Ref : Communication Site No.366	50	5.0	44 × 44 × 15	0.02904

DRAWING



Ref: Communication Site No.367

CORRECTION



Ref: Communication Site No.362